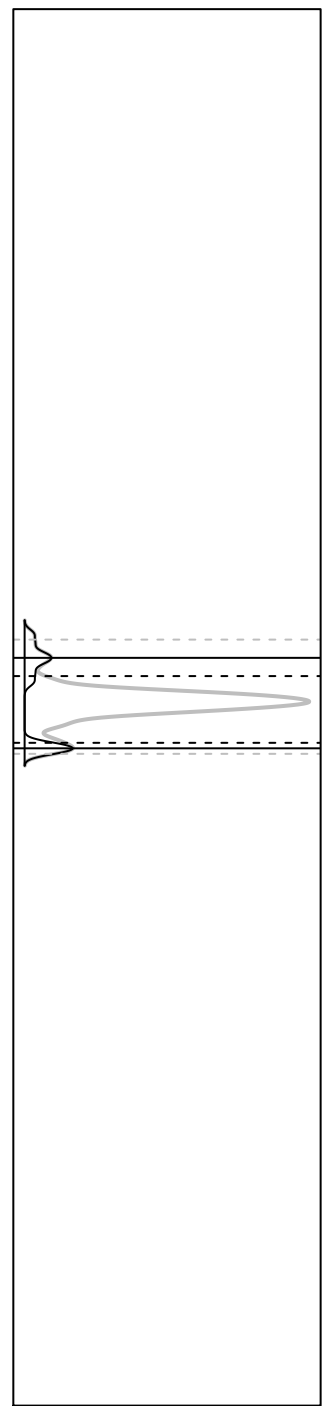
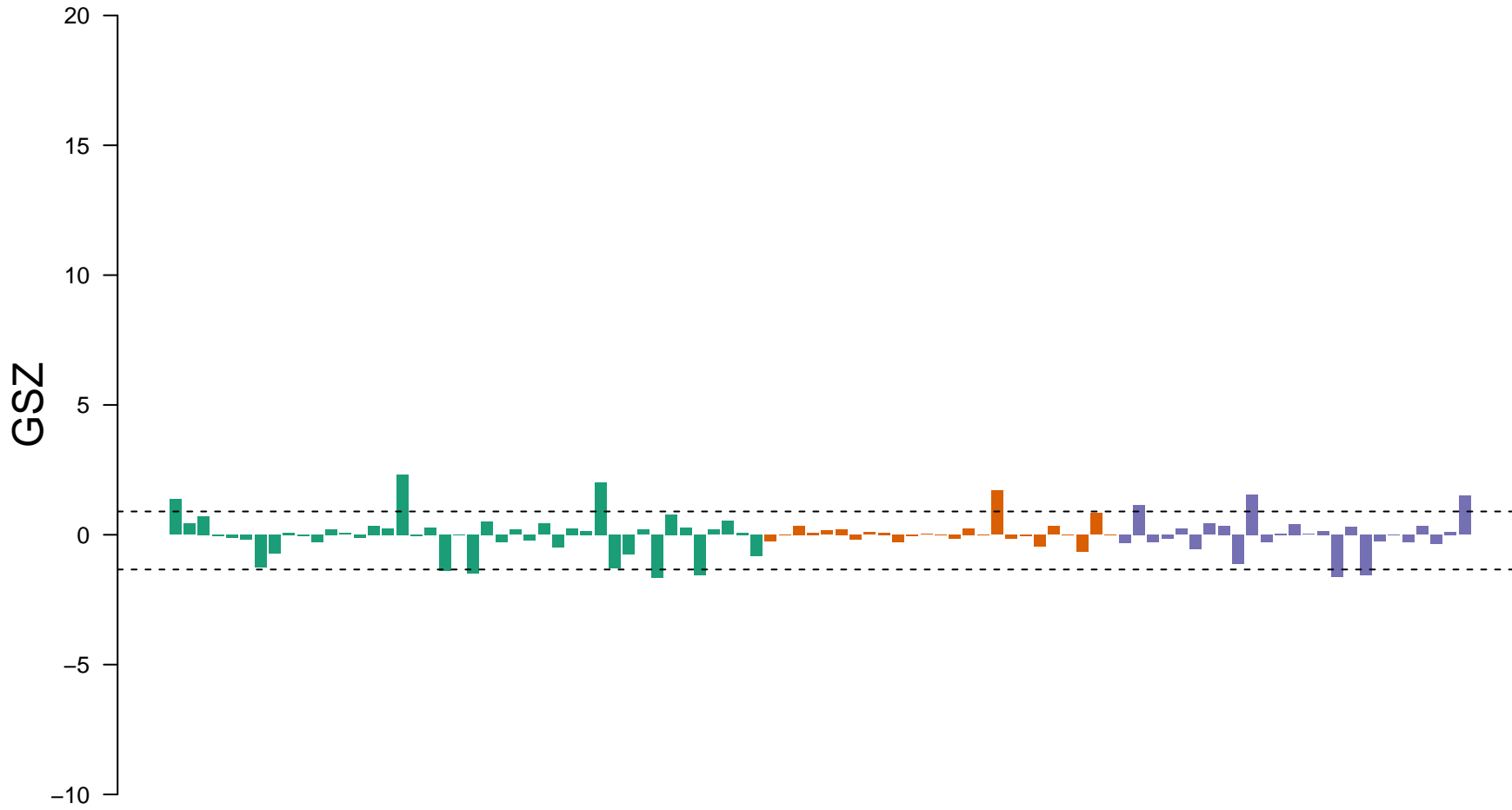


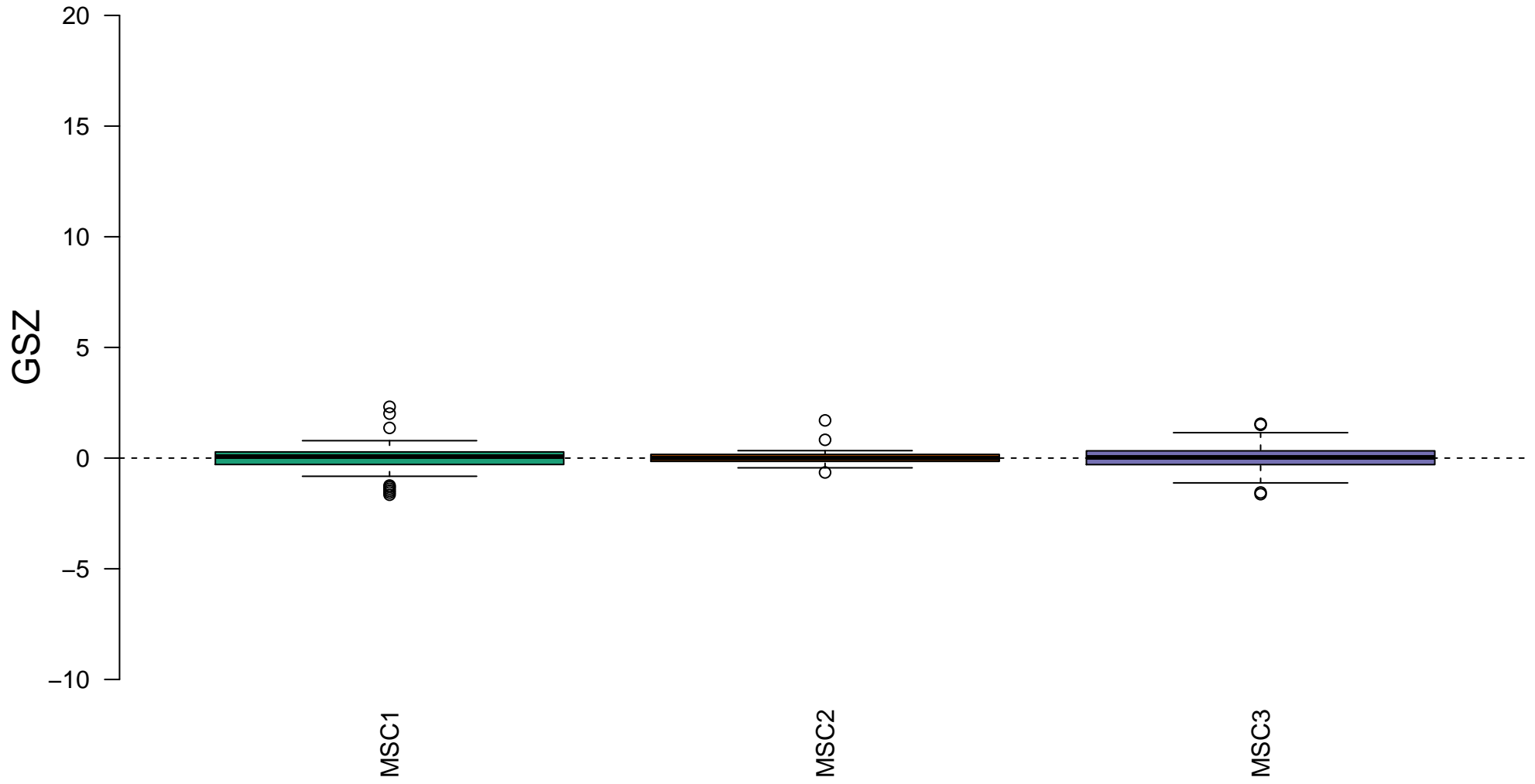
# WEBER\_METHYLATED\_ICP\_IN\_SPERM\_DN



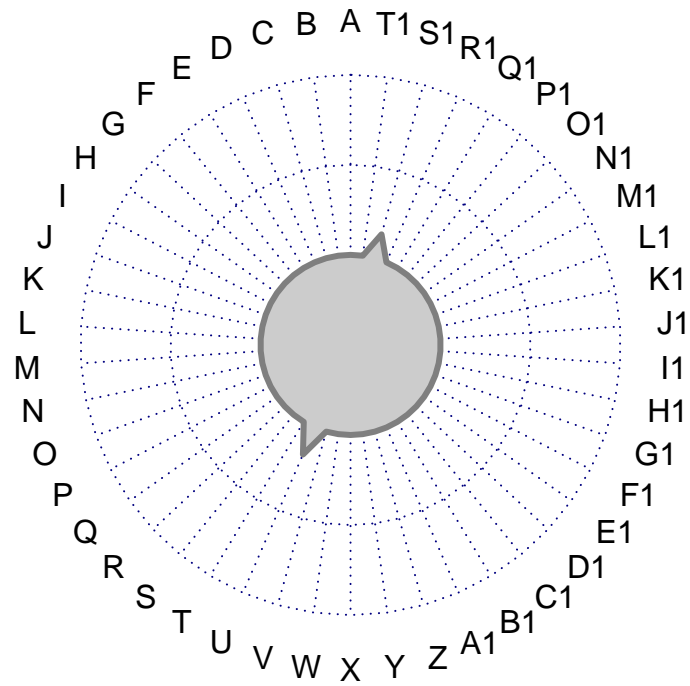
■ on  
■ -  
□ off



# WEBER\_METHYLATED\_ICP\_IN\_SPERM\_DN



Enrichment in overexpression spots



Enrichment in kMeans clusters

